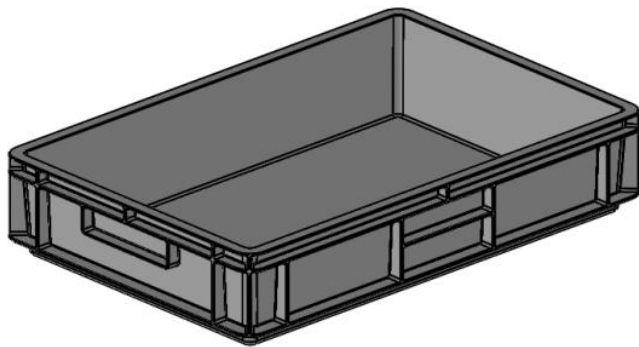


EURO TOTE RANGE DATASHEET

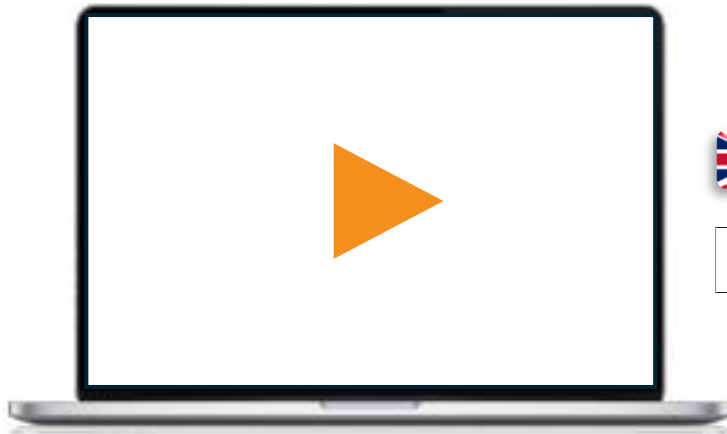


Casting Support Systems Ltd
Systems House, 1 Claylands Way,
Paignton, TQ4 7TY, UK.

t. +44 (0)1803 226 961
e. sales@versatote.com
w. www.versatote.com



Datasheet: EURO TOTE RANGE



Designed and
manufactured in the UK



Manufactured to ISO9001
quality standards

Take the 360 tour press the
play button

Design Features

- Available in two versions one without handle holes and one with.
- Available with a universal drop on lid.
- 5mm rim on base for stacking and clearance in automation.
- Available in a variety of colours (Virgin & 70:30 material only)

Additional Options

- Available in 3 material options virgin plastic, 70:30 virgin : recycled plastic (other % options are available on request) and Repro -100% recycled plastic.
- Available in a variety of colours (please be aware colours restrictions are linked to material type)
- Laminated digital printing, for either logos, images or writing . Maximum print size (85mm x 250mm)
- Option to reprocess your old plastic boxes, giving you a price per kilo (please contact for availability) We are not responsible for collection or delivery for this service.

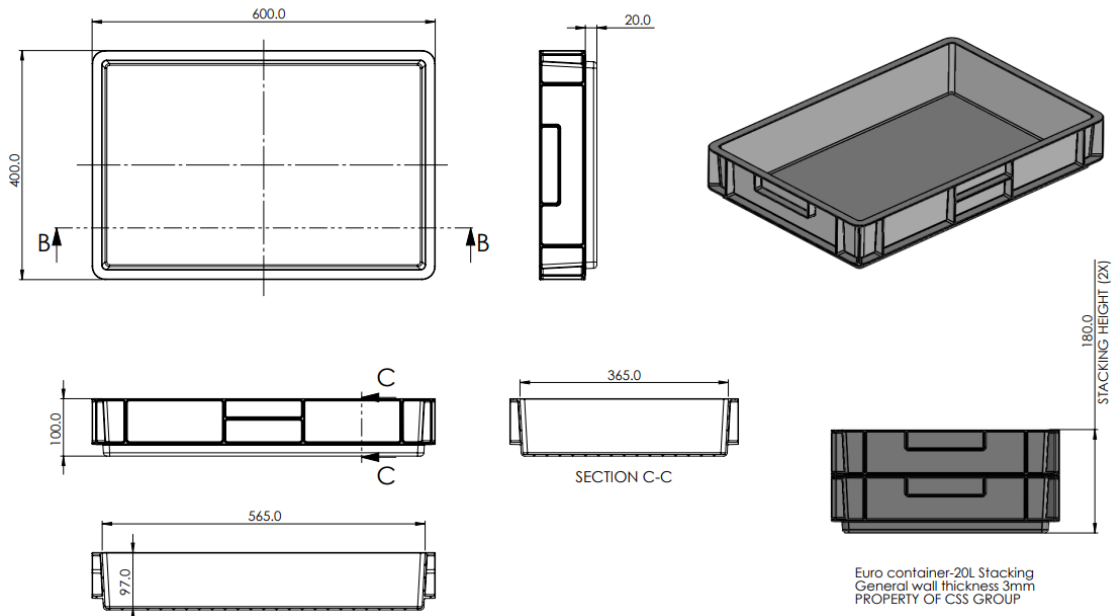
Casting Support Systems Ltd
Systems House, 1 Claylands Way,
Paignton, TQ4 7TY, UK.

t. +44 (0)1803 226 961
e. sales@versatote.com
w. www.versatote.com



Datasheet: EURO TOTE RANGE

EURO – SC64100



Technical data

Product reference:	SC64100
External dimensions (mm):	600 x 400 x 100
Internal base (mm):	550 x 350
Usable internal height (mm):	75
Weight Kgs:	1.42 (Based on repro material)
Units per pallet (1.2mx1m)	125

Features

- 5mm rim on base for stacking and clearance in automation.
- Available with or without handles
- Available with or without vents
- Available in a variety of colours (Virgin & 70:30 material only)

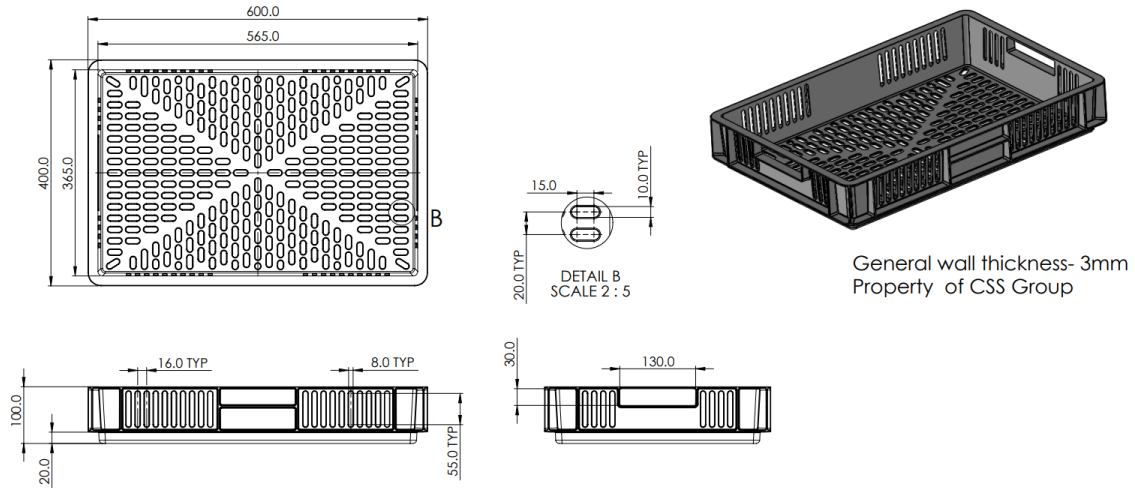
Casting Support Systems Ltd
Systems House, 1 Claylands Way,
Paignton, TQ4 7TY, UK.

t. +44 (0)1803 226 961
e. sales@versatote.com
w. www.versatote.com



Datasheet: EURO TOTE RANGE

EURO – SC64100- Vented



Technical data

Product reference:	SC64100
External dimensions (mm):	600 x 400 x 100
Internal base (mm):	550 x 350
Usable internal height (mm):	75
Weight Kgs:	1.42 (Based on repro material)
Units per pallet (1.2mx1m)	125

Features

- 5mm rim on base for stacking and clearance in automation.
- Available with or without handles
- Available with or without vents
- Available in a variety of colours (Virgin & 70:30 material only)

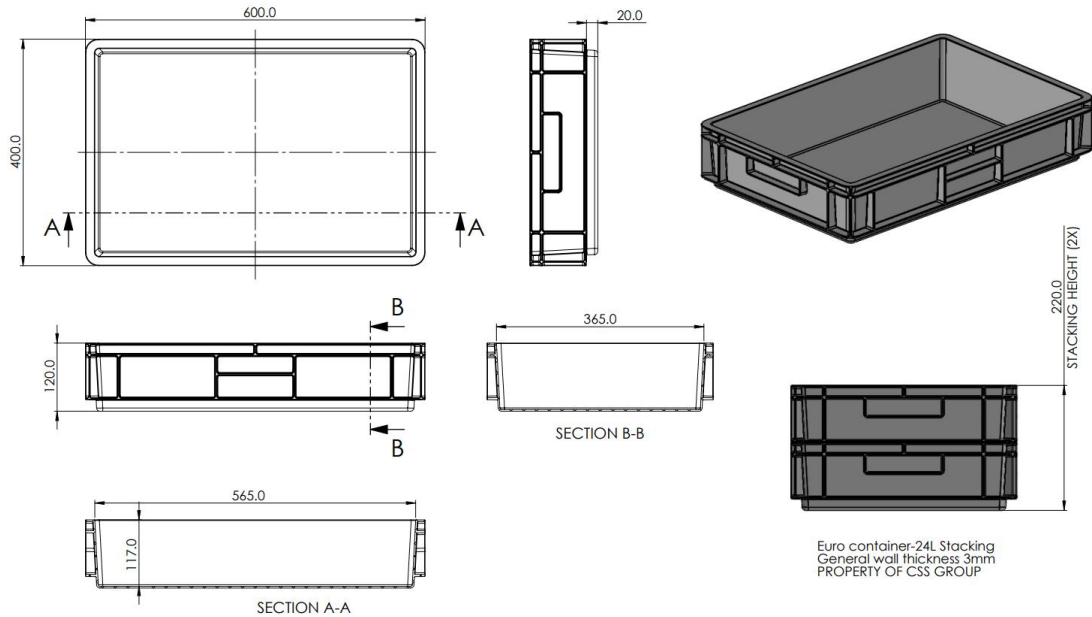
Casting Support Systems Ltd
Systems House, 1 Claylands Way,
Paignton, TQ4 7TY, UK.

t. +44 (0)1803 226 961
e. sales@versatote.com
w. www.versatote.com



Datasheet: EURO TOTE RANGE

EURO – SC64120



Technical data

Product reference:	SC64120
External dimensions (mm):	600x 400 x 120
Internal base (mm):	550 x 350
Usable internal height (mm):	95
Weight Kgs:	1.47 (Based on repro material)
Units per pallet (1.2mx1m)	100

Features

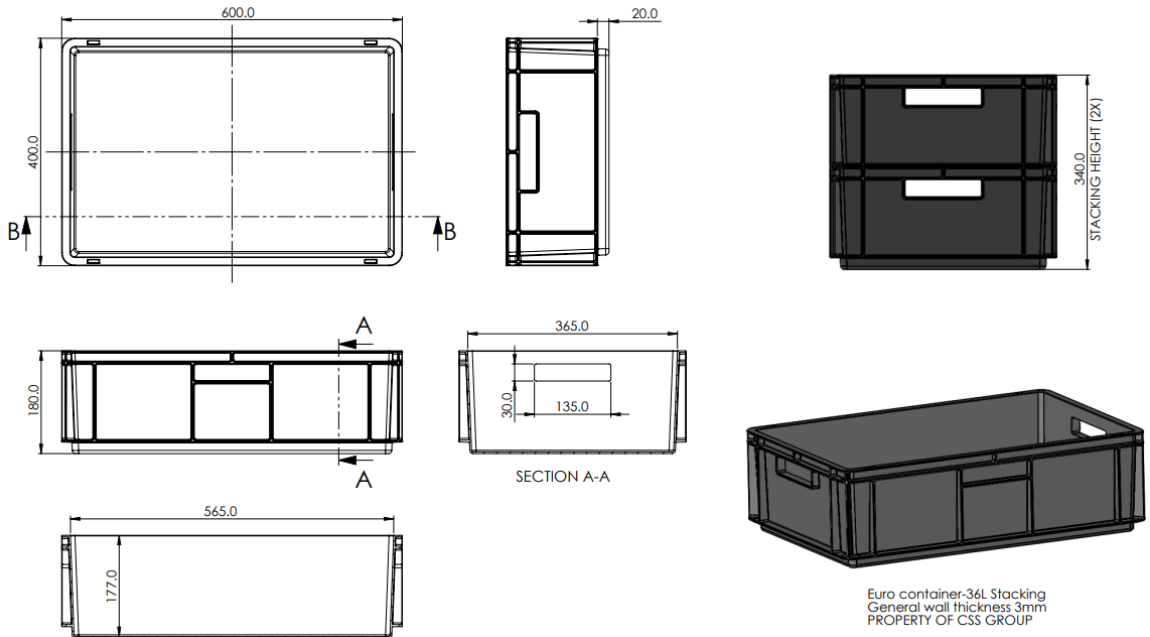
- 5mm rim on base for stacking and clearance in automation.
- Available with or without handles
- Available in a variety of colours (Virgin & 70:30 material only)

Casting Support Systems Ltd
Systems House, 1 Claylands Way,
Paignton, TQ4 7TY, UK.

t. +44 (0)1803 226 961
e. sales@versatote.com
w. www.versatote.com

Datasheet: EURO TOTE RANGE

EURO – SC64180



Technical data

Product reference:	SC64180
External dimensions (mm):	600x 400 x 180
Internal base (mm):	555 x 355
Usable internal height (mm):	155
Weight Kgs:	1.89 (Based on repro material)
Units per pallet (1.2mx1m)	60

Features

- 5mm rim on base for stacking and clearance in automation.
- Available with or without handles
- Available in a variety of colours (Virgin & 70:30 material only)

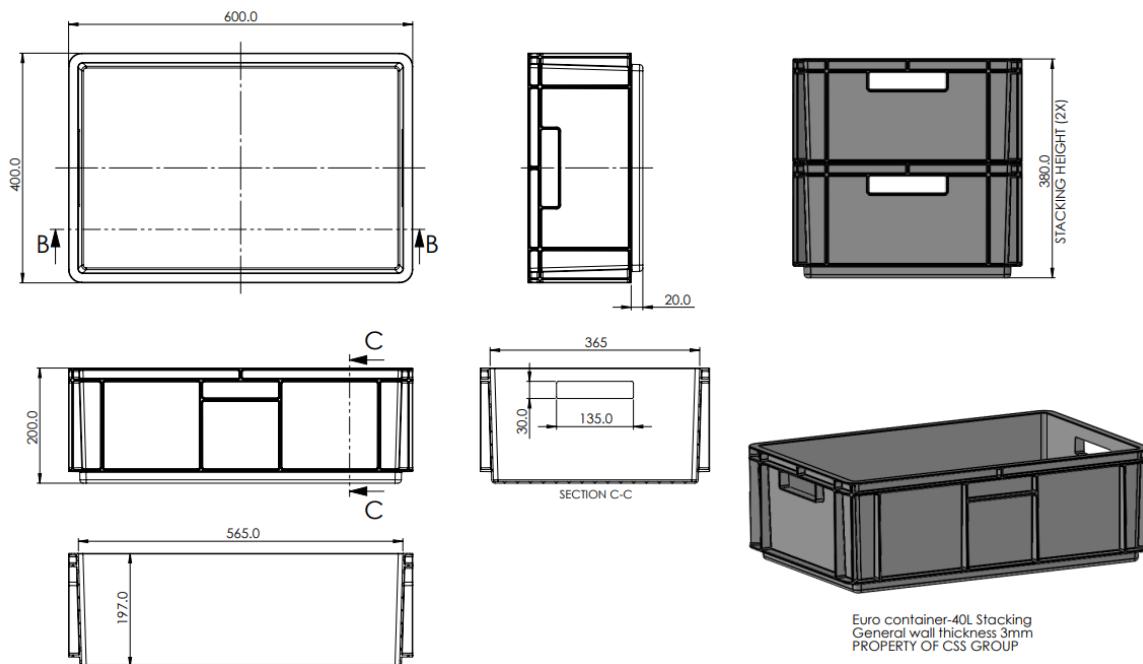
Casting Support Systems Ltd
Systems House, 1 Claylands Way,
Paignton, TQ4 7TY, UK.

t. +44 (0)1803 226 961
e. sales@versatote.com
w. www.versatote.com



Datasheet: EURO TOTE RANGE

EURO – SC64200



Technical data

Product reference:	SC64200
External dimensions (mm):	600x 400 x 200
Internal base (mm):	550 x 350
Usable internal height (mm):	175
Weight Kgs:	2.05 (Based on repro material)
Units per pallet (1.2mx1m)	50

Features

- 5mm rim on base for stacking and clearance in automation.
- Available with or without handles
- Available in a variety of colours (Virgin & 70:30 material only)

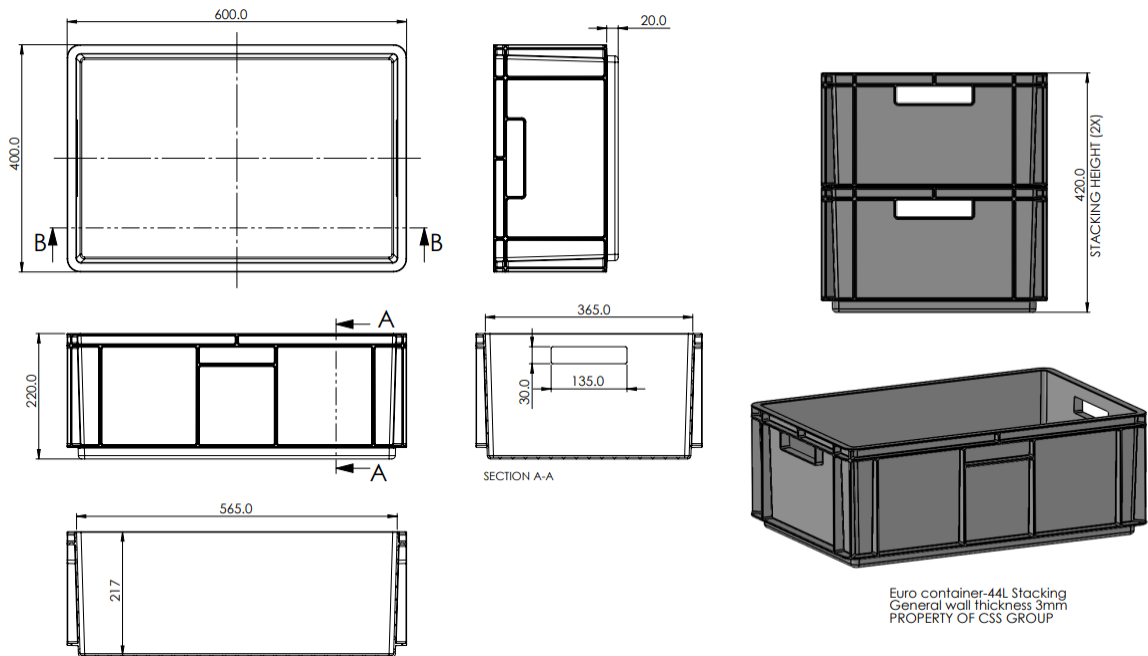
Casting Support Systems Ltd
Systems House, 1 Claylands Way,
Paignton, TQ4 7TY, UK.

t. +44 (0)1803 226 961
e. sales@versatote.com
w. www.versatote.com



Datasheet: EURO TOTE RANGE

EURO – SC64220



Technical data

Product reference:	SC64220
External dimensions (mm):	600x 400 x 220
Internal base (mm):	550 x 350
Usable internal height (mm):	195
Weight Kgs:	2.20 (Based on repro material)
Units per pallet (1.2mx1m)	50

Features

- 5mm rim on base for stacking and clearance in automation.
- Available with or without handles
- Available in a variety of colours (Virgin & 70:30 material only)

Casting Support Systems Ltd
Systems House, 1 Claylands Way,
Paignton, TQ4 7TY, UK.

t. +44 (0)1803 226 961
e. sales@versatote.com
w. www.versatote.com



Data-sheet: EURO TOTE RANGE

Safety Instructions for Operators

- Ensure follow HSE [Simple manual handling risk filters – HSE](#).
- Avoid awkward postures, twisting and using excessive force.
- Hand and foot protection should be worn .
- Wash hands after handling euro tote.

Potential Hazards/ Injuries

- Force (Push and pull)
- Sprains and strains
- Awkward posture
- Slips, trips and falls
- Strong odour
- Pinch/crush injuries
- Hygiene control

Pre-Operation Safety Checks

- DO NOT climb into or onto euro totes.
- Test the weight of the Euro tote before moving.
- Avoid overloading euro tote and do not handle overloaded totes.
- Do not handle multiple boxes at once.
- CSS recommend operators introduce processes and procedures to assist in health and safety.

Guidelines

- Intended for the use of storage and transfer of goods, should be lifted using /following HSE [Simple manual handling risk filters – HSE](#)).
- For the avoidance of doubt euro totes should not be used with excessive force, thrown or dropped from heights as this over a long period will cause structural damage.

Casting Support Systems Ltd
Systems House, 1 Claylands Way,
Paignton, TQ4 7TY, UK.

t. +44 (0)1803 226 961
e. sales@versatote.com
w. www.versatote.com

